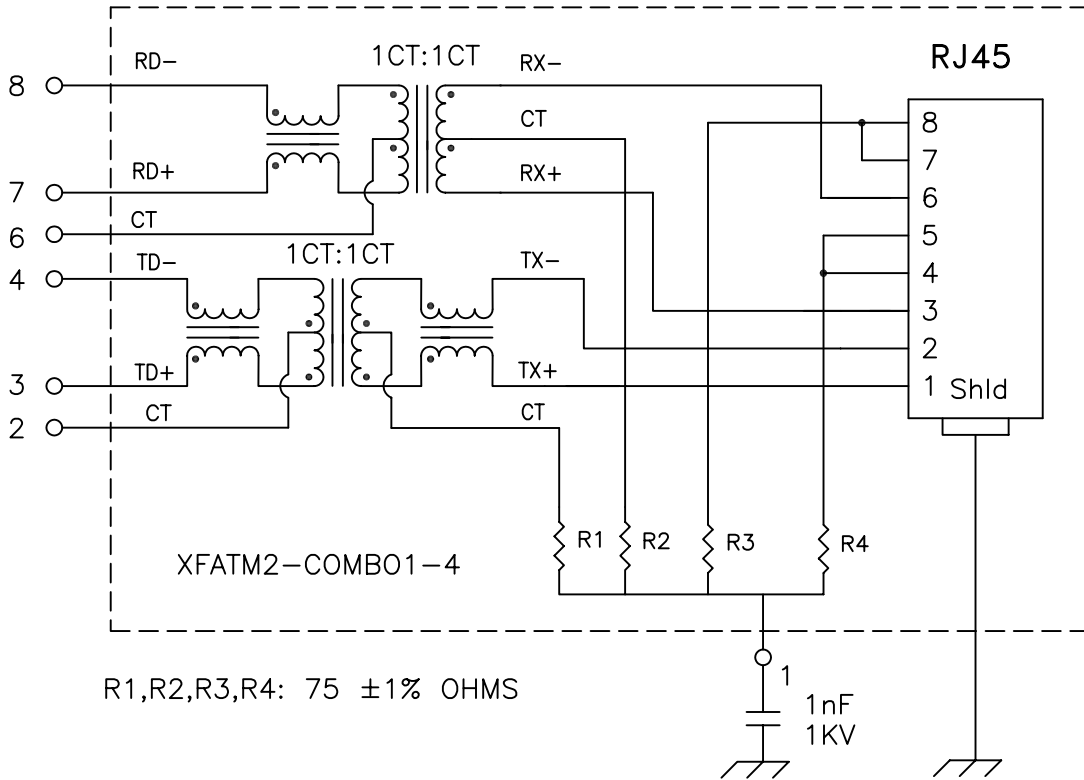


## Schematic:



## Electrical Specifications: @25°C

Isolation Voltage: 1500Vrms(INPUT to OUTPUT), 500Vrms(TD to RD)

UTP SIDE OCL: 350uH Min @100KHz 100mV 8mADC

Rise Time (10-90%): 2.5ns Typical

Insertion Loss (300KHz-100MHz): -1.1dB Maximum

Insertion Loss (100MHz-125MHz): -1.5dB Maximum

Return Loss: -18dB Min. @30MHz

-12dB Min. @80MHz

Crosstalk:

100KHz-60MHz -40dB Typical

60MHz-100MHz -38dB Typical

Common Mode to Differential Mode Rejection:

100KHz-60MHz -45dB Typ (Tx) / -40dB Typ (Rx)

60MHz-100MHz -40dB Typ (Tx) / -35dB Typ (Rx)

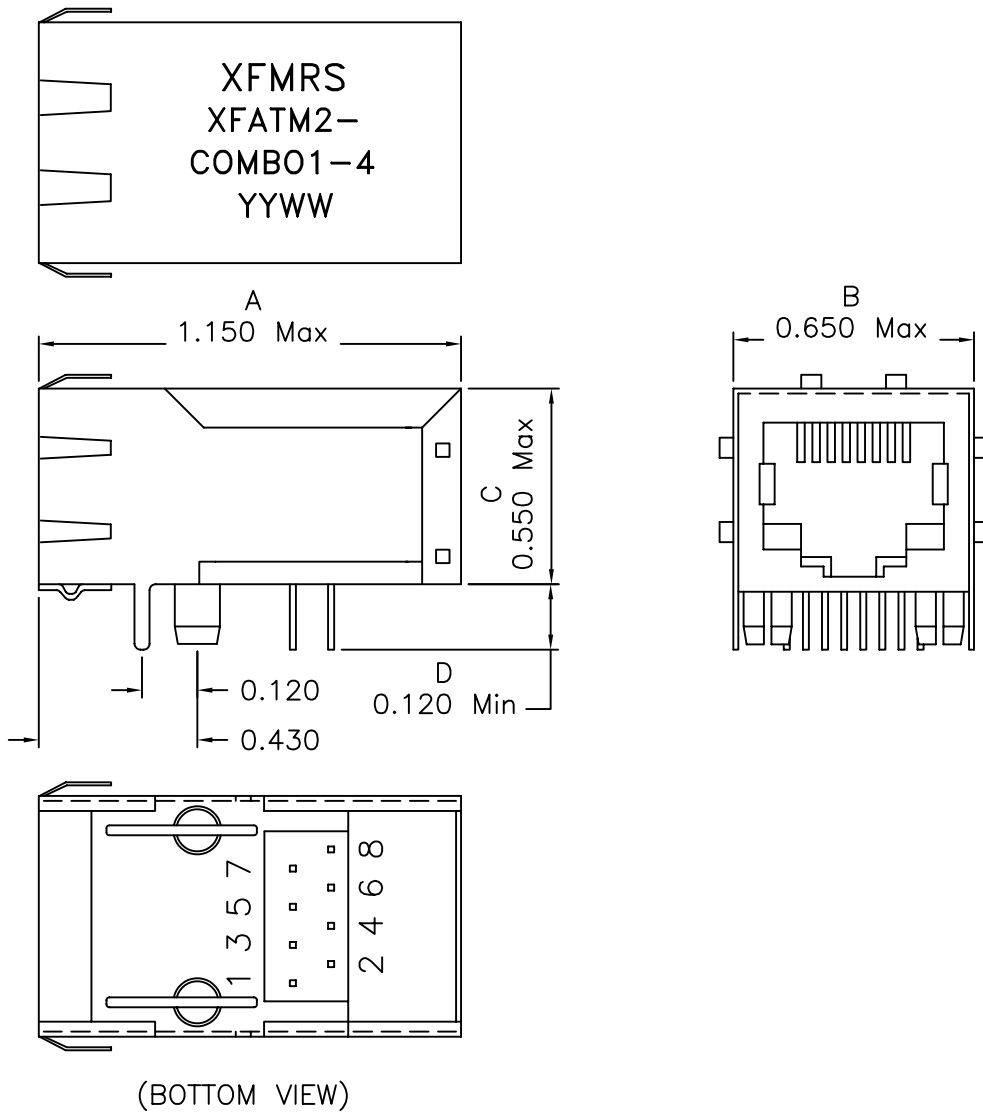
Note:

1. Solderability: Leads shall meet MIL-STD-202, Method 208D for solderability.
2. Flammability: UL94V-0,
3. ASTM oxygen index: > 28% ,
4. Temperature rating: 155°C. UL file E151556,
5. Operating Temperature Range: All listed parameters are to be within tolerance from -40°C to +85°C

<b>XFMRs Inc.</b>	Title: SINGLE PORTS COMBO		
	UNLESS OTHERWISE SPECIFIED TOLERANCES: .xxx ±0.010	P/N: XFATM2-COMBO1-4	REV. F
	Dimensions in Inch	DWN. 廖玉坤	Dec-06-00
	SHEET 1 OF 1	CHK. 李清儿	Dec-06-00
		APP. Joe Huff	Dec-06-00

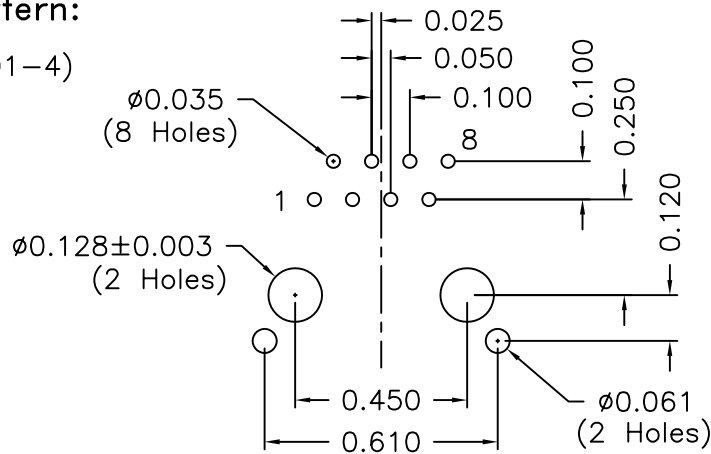
DOC. REV F/3

Mechanical Dimensions:



Mounting Pattern:

(FOR COMBO1-4)  
(COMP SIDE)



DOC. REV: F/3

<b>XFMR5 Inc.</b>	Title: Mechanical Dimensions For COMBO1-4 Series								
	UNLESS OTHERWISE SPECIFIED TOLERANCES: .xxx ±0.010 Dimensions in Inch	<table border="1" style="width: 100%;"> <tr> <td>P/N: XFATM2-COMBO1-4</td> <td>REV. F</td> </tr> <tr> <td>DWN. 廖玉坤</td> <td>Dec-06-00</td> </tr> <tr> <td>CHK. 李清儿</td> <td>Dec-06-00</td> </tr> <tr> <td>APP. Joe Huff</td> <td>Dec-06-00</td> </tr> </table>	P/N: XFATM2-COMBO1-4	REV. F	DWN. 廖玉坤	Dec-06-00	CHK. 李清儿	Dec-06-00	APP. Joe Huff
P/N: XFATM2-COMBO1-4	REV. F								
DWN. 廖玉坤	Dec-06-00								
CHK. 李清儿	Dec-06-00								
APP. Joe Huff	Dec-06-00								
SHEET 2 OF 2	APP.	Dec-06-00							